

TRIMLINE CANOPY 10' x 10'

Instructions for Assembly

Video instructions are available on our website!

Go to: flourishdisplays.com/instructions or scan this code with your QR Code Reader App for a direct link to our instructions and videos.



Please, assemble the TrimLine at home the first time, not at a show.



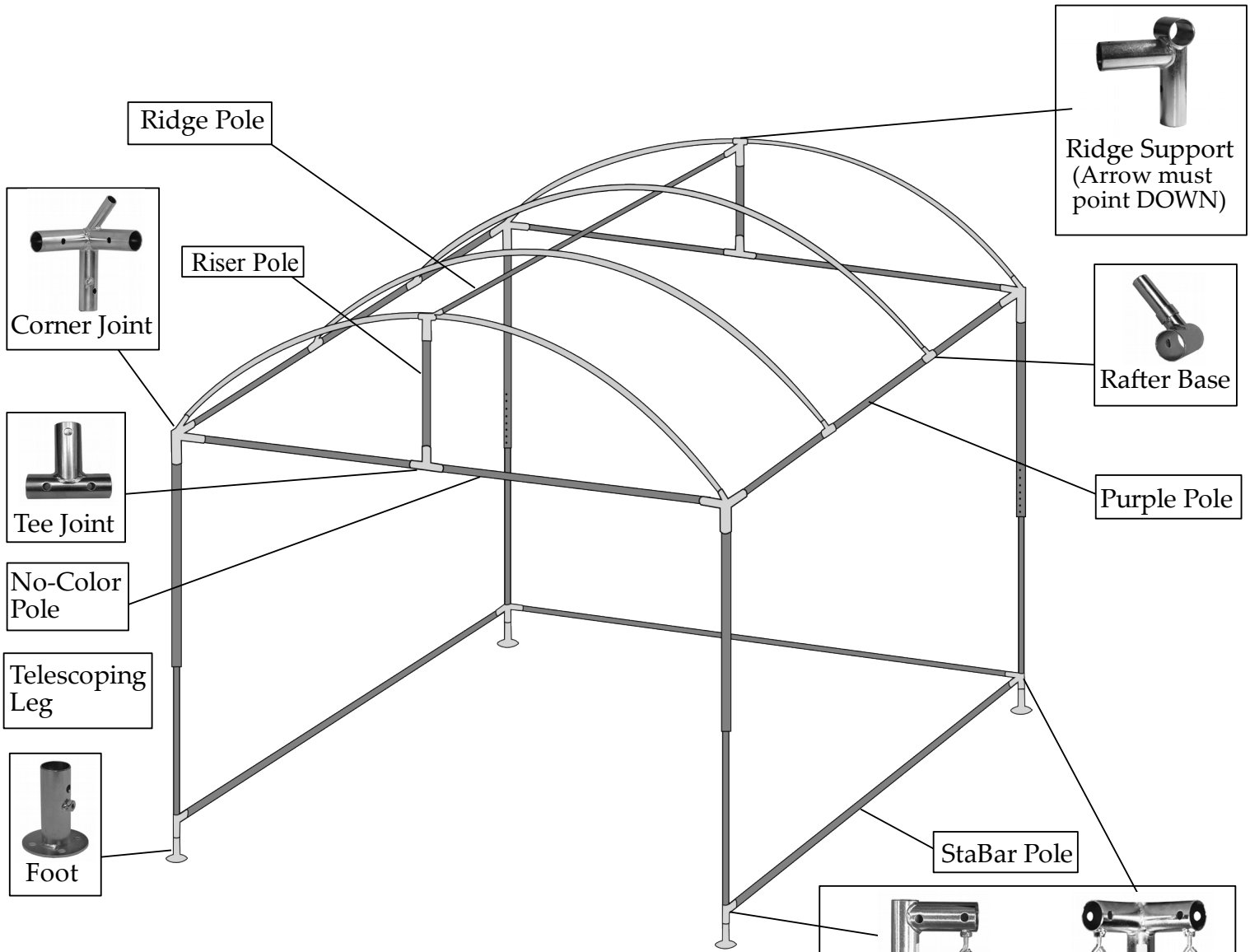
Before beginning assembly of your TrimLine, review the enclosed Parts List to familiarize yourself with the TrimLine, and to confirm that all parts are present.

Also, review these instructions and the instructions for any accessories you have purchased, such as Awnings, StaBar kit, or Rear Door assemblies. Parts for TrimLine accessories are often installed as the TrimLine is being set up. Reviewing all instructions before beginning set up will help you get the necessary accessory parts in place as you set up your TrimLine.

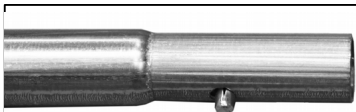
****The TrimLine can be set up by one person, made easier with our optional EasyRiser Kit. As with *any* canopy though, set up is easiest with help!**

Visit our website to see all options available for the TrimLine: flourishdisplays.com


Frame Overview




Joining Pole Sections:
 Pole sections click together. Take care to join purple males to purple females and no-color poles to each other. Telescoping legs come nested together with the bottom inside the top section.




Male



Female




StaBar Ell



StaBar 3-Way

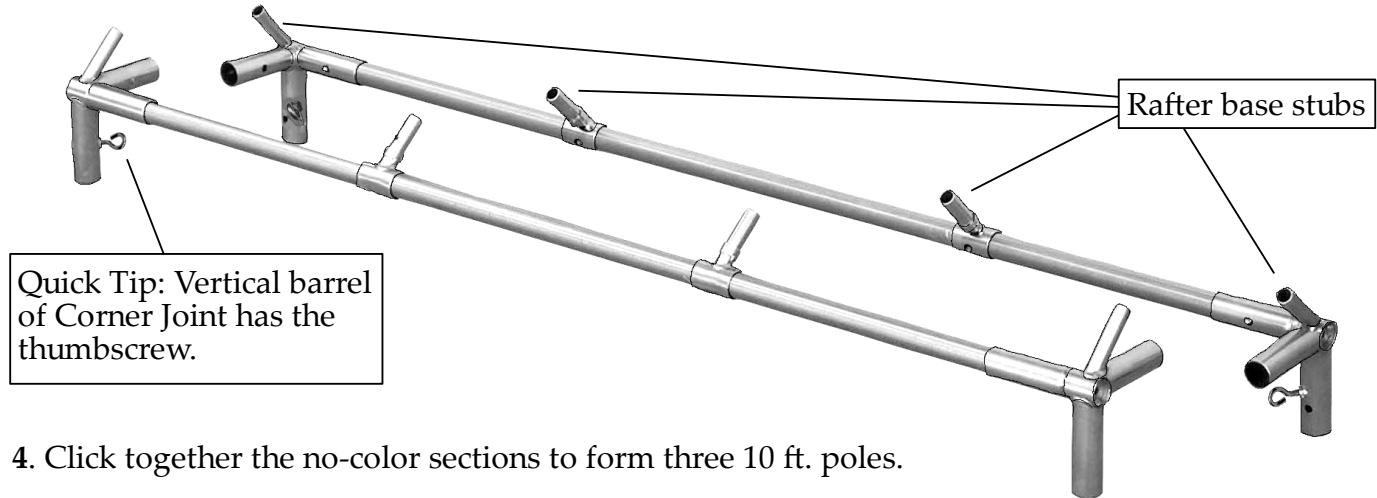
***Note:** Frame shown with optional **StaBar Kit** installed. If you did not order the StaBar Kit, these parts and (3) StaBar Poles will not be included.

Before beginning assembly for the first time, take a moment to start thumbscrews on all joints equipped with a receiving nut.

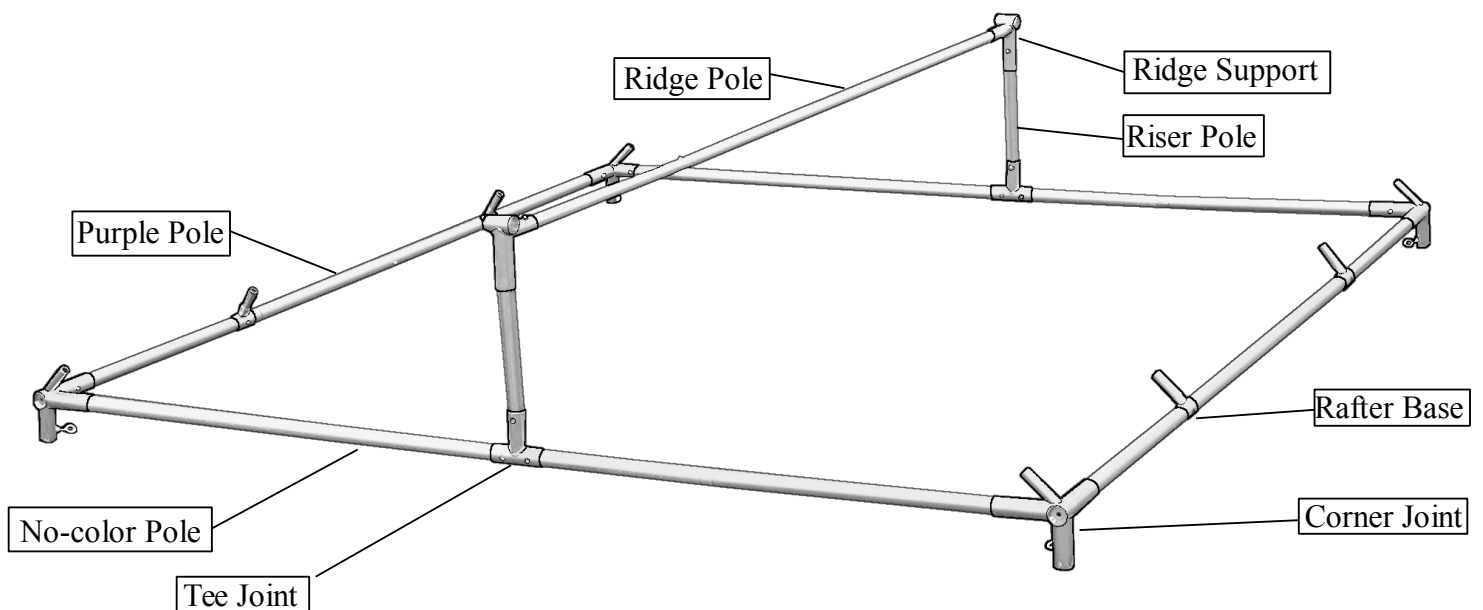
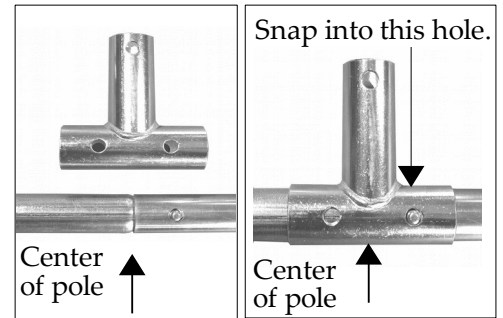


Assembly of Roof Frame

1. Begin by clicking together the male and female purple coded sections to form two 10 ft poles.
2. Slide the Rafter Base Joints onto the purple coded poles, clicking onto the snap buttons located mid-way on each section.
3. Now attach the corner joints so that all rafter base stubs are pointing the same direction on each pole.

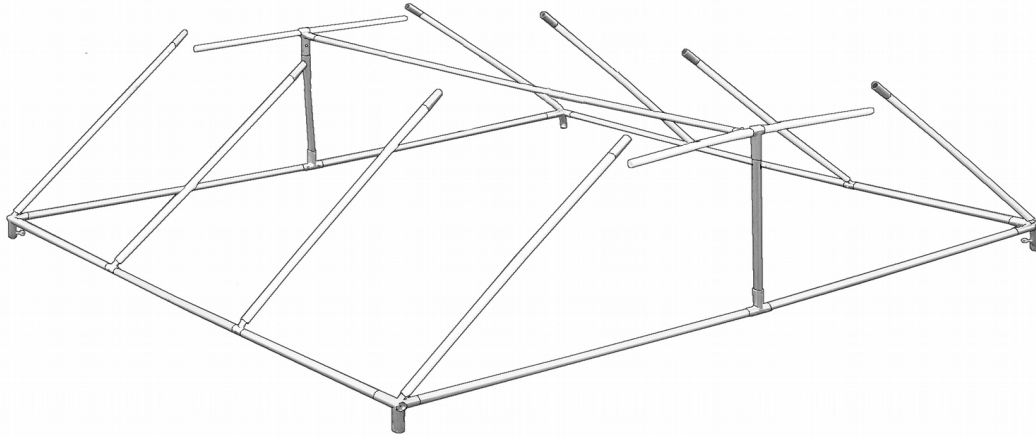


4. Click together the no-color sections to form three 10 ft. poles.
5. Now slide the Tee Joints onto two of the no color poles, seating on the snap button at the center of the pole. Take care to center the joint over the seam where the pole sections connect. See detail below.
6. Insert the purple and no color poles into the Corner Joints as shown below. The rafter base stubs should all be facing up and towards the center of the frame.
7. Add the short 26" risers to the Tee Joints and top them with the Ridge Support Joints (**black arrow should be pointing down**).
8. Use the third no color pole from step one to form the Ridge Pole. Insert into the Ridge Support Joints to complete the assembly of the metal parts of the roof frame.

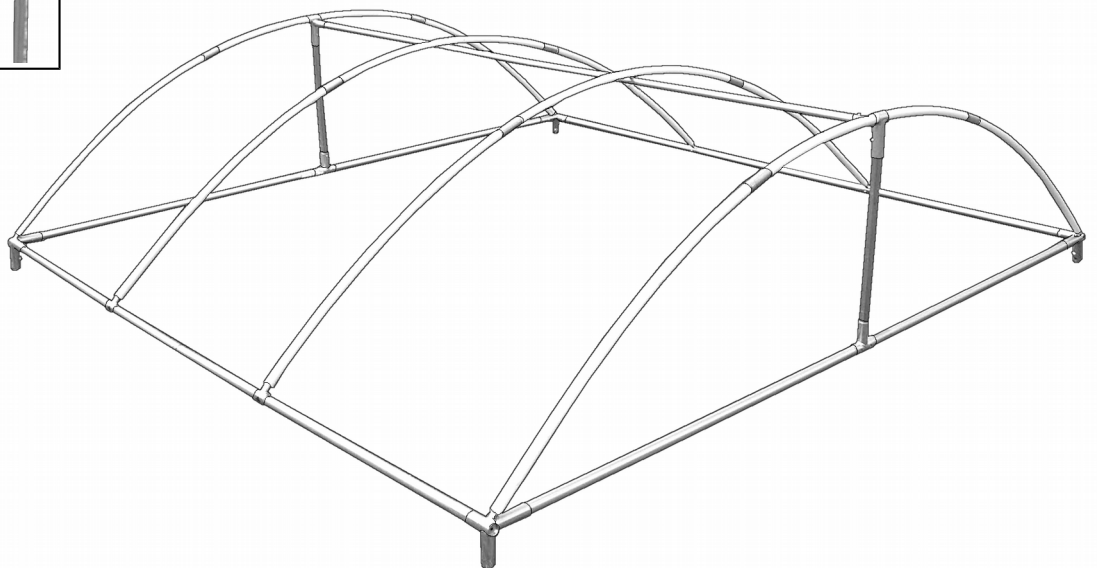
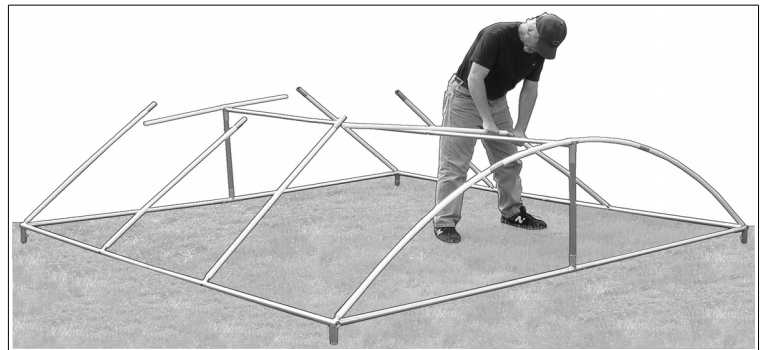


Rafters

1. To assemble the rafters, slide each Rafter End onto a Rafter Base Stub, keeping the metal end up.
2. Slide two of the Rafter Center sections through the Ridge Support Joint at each gable end of the frame.



3. Connect Rafter sections by simply pushing each plastic end of the center section down and into the corresponding metal connector of each Rafter End. Keep pushing down until you feel it slide into place.

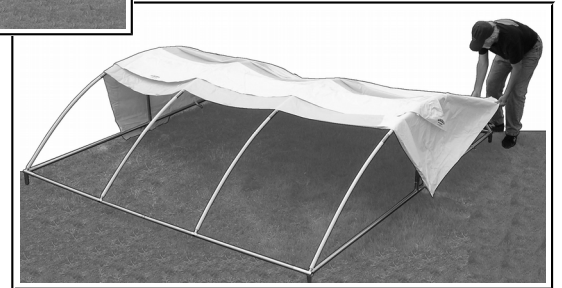
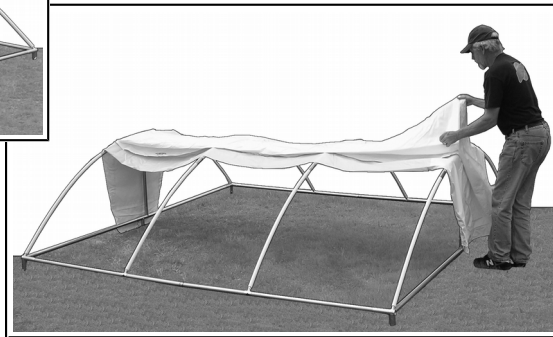
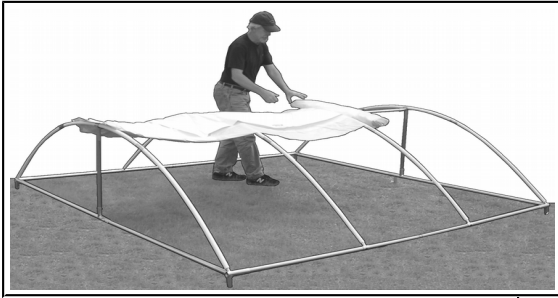


Topper

*Your canopy topper has been folded for shipment in a way that makes it easy to set up. Please read these directions before unfolding topper.

1. Beginning at one gable end of the roof frame, unroll top along the ridge pole, letting the ends hang down over either end.
2. Unfold the top, stretching it out over the entire roof frame and aligning the corners with the corner joints of the frame.

*Instructions for re-folding at the end of the show are found on page 9.



3. With the top rolled out over the frame, decide whether the heat/wind vents will be at the front/back of your canopy or to the sides. Lift the edge of the valance along your designated front edge and attach the two Velcro straps around the frame pole to hold the top in place while the legs are being attached. (The rest of the straps will be attached after the top is up on it's legs.)

4. **VENTS:** Heat/wind vents can be opened and closed from inside or outside the canopy. To access from inside, separate the Velcro strip along the bottom edge and reach through to roll up and secure the vent panel. If you are confident of the weather forecast, you can roll them most easily from the outside before attaching the legs.

Setting Up and Using the Telescoping Legs

Initial Set Up

1. Begin by holding leg upright, with the row of holes towards the bottom of the leg. Line up the snap button at the very bottom with the row of holes, then start pulling the inner nested section of the leg out, just about 6" at first.

2. Find the hole located about 12" from the top of the leg and keep pulling the bottom section out until the snap button clicks into place; this is the "travel" position.

* If you are using StaBars, you can slide the Ell or 3 Way joints onto the bottoms of the legs now.

3. Slide feet onto the bottom of each leg, rotating until the snap button on the leg snaps into the hole on the foot. Tighten the thumbscrews on the feet – finger-tight only!

At this point the leg assemblies are ready for transport or storage. If space allows there is no need to remove joints between shows.

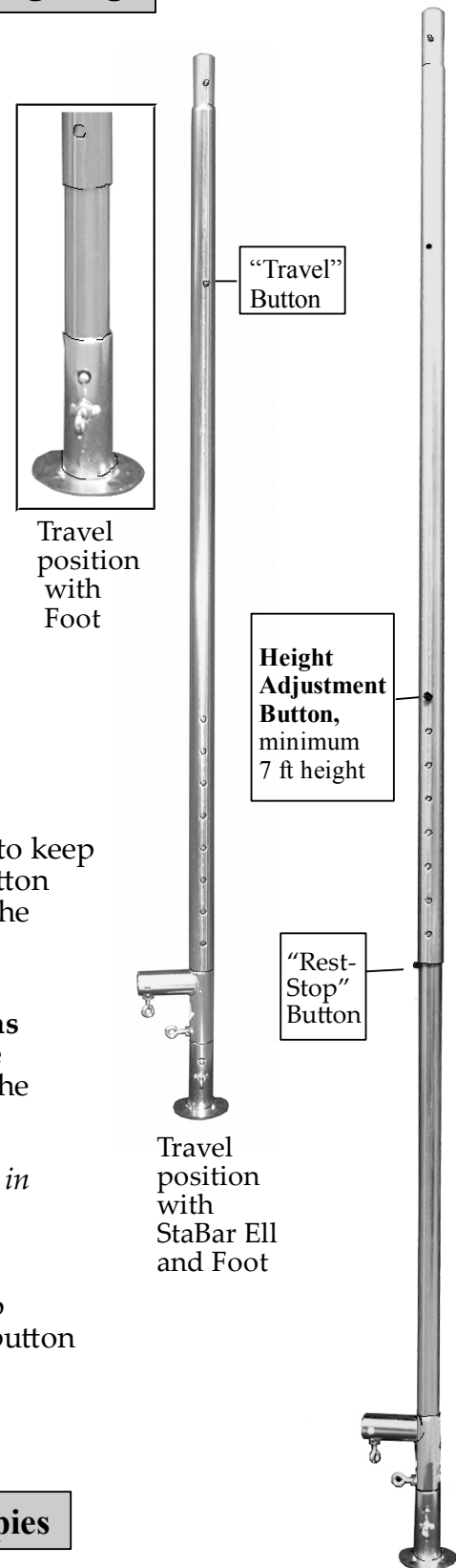
Extending the Legs for Use

1. To extend the leg, hold upright on the floor and step on the footplate to keep the bottom section in place. Lift the top section upwards until a snap button pops out from the bottom section, just below the upper section. This is the "rest-stop" position.

2. **With the top section resting on the "rest-stop" button rotate sections until a button pops out of the topmost of the row of holes. This is the extended position, 7 ft. high.** To increase the height of the leg depress the button in the row of holes and extend to the desired height.

At the minimum 7 ft height, you should have **two snap buttons showing; one in the topmost adjustment hole and one button in the bottom leg section.*

3. To collapse the leg, push in BOTH the "rest-stop" button and the snap button in the row of holes. Rotate one section slightly to keep the snap button from catching. Re-engage the "travel" button to secure for storage.



Leg Extenders for 8' or 9' wall-height canopies

Add Leg Extenders to the top of the telescoping legs. For the 8' height the extensions measure 15" long, For the 9' height they measure 27" long.

*For ease of set-up, you may wish to insert the leg extenders into the canopy corner joints before raising the top onto it's legs. When you lift the roof, you'll be inserting the legs into the extenders rather than the corner joints.

ATTACHING THE LEGS

1. Begin with the legs on the edge that you have determined to be the front of the canopy.

*If you are using a StaBar Kit the front legs will have StaBar Ell Joints attached at the bottom.

2. With one person standing at each front corner, raise the front edge of the canopy roof frame and click the leg tops into the corner joints.

Options for One-Person Set-Up:

*Insert the legs in the collapsed, "travel" position at first, then extend them one at a time

*Use our **Easy Riser Kit**, which allows you to prop the roof up at the center while you insert the legs

*Ask a neighbor for a hand... it only takes a minute!

3. With the front legs attached, step under the roof and attach the remaining Velcro straps to the frame.



Front legs attached, heat/wind vents oriented to side of canopy



Front legs attached, heat/wind vents oriented to front of canopy

Rear Legs and Optional StaBars

1. Lift back edge of roof frame and insert rear legs into the Corner Joints.

*If you are working alone, the easiest way to do this is to insert the legs while they are in their "travel" position, then extend them one at a time.

2. If you are using the StaBar kit, first attach the rear StaBar by clicking a no-color pole into the StaBar 3 Way Joints located at the bottom of the rear legs. Then repeat on the two sides, inserting into the StaBar Ells at the front.

*StaBar Joints can slide up on the pole to allow the StaBar to remain level even if the legs are set at differing heights to accommodate uneven ground.

3. Finally, tighten all thumbscrews on the frame. FINGER TIGHTEN ONLY – do NOT use tools!



Sidewalls

1. Unfold walls, locating the top edge with roll up straps attached (the bottom edge has grommets).

2. Standing inside the canopy, zip the sidewalls to the topper from left to right. Stepping outside the canopy, zip sidewalls to each other at the corners. Use Velcro wind straps to attach wall to leg when one or more wall has been removed or rolled up.

3. Pull topper snug at corners, overlapping and attaching Velcro flaps at ends of valances.

*Note that the heavy duty zippers on the TrimLine are "self-lubricating". They may be stiff at first but will handle with ease after a few uses.

Anchoring

Whenever possible, use the TieDown Screws and Spikes included to attach canopy to the ground. If neither is usable, we advise the use of our GreatWeights or other weight to keep you earthbound in strong winds. Opening wind vents to release pressure is also helpful in windy conditions.

Packing Up

You may choose to break your canopy down to its smallest component parts if packing space is tight, but for ease of set up at your next show you may prefer to leave the hardware connected to the poles.

Most compact storage

All parts and poles fully disassembled



Quicker set up

Hardware attached to poles,
Poles broken down to 5 ft. lengths



Fastest set up

Hardware attached to poles,
Poles left assembled at 10 ft.



Step-by-step break down of the TrimLine

1. Release wind straps from legs, unzip and remove Sidewalls and fold.
2. Remove any StaBars, Awnings, MeshPanels, FrenchWalls or DoorFrame.
3. Remove the rear legs, then step inside and remove the Velcro straps holding the topper onto the frame. Loosen and remove front legs.
4. To fold the topper: stand at the gable ends and unroll the heat/wind vents if you've had them open. Now fold one edge up to the center, then the other side, and finally fold in half along the center. The topper should now be folded in a long packet sitting along the ridgepole. Keeping it on the ridgepole to keep it clean, start rolling at one end and finish with a cylinder shape that can be stored in the optional long Carrying Bag.
5. Remove the rafters next. To pull the rafters off the rafter bases, stand inside the frame, place a foot on the horizontal purple pole and pull up to release from Rafter Bases and Corner Joints. Rafter sections can now be easily separated and stored in optional Pole Bags or bundled with Ball Bungees.
6. The rest of the poles and joints can now be disassembled to the desired degree, starting with the ridgepole and working your way down until you have pole sections that can be stored in the optional Pole Bags or bundled with Ball Bungees.

Care and Feeding of your TrimLine Canopy

* Vinyl is a tough and durable fabric. It resists mildew and dirt but should receive your care and attention to keep it in prime condition. **DO NOT STORE WET.** If you have had to break down wet, remove canopy top and walls as soon as possible and open to allow it to dry thoroughly.

*Dirt can be cleaned from walls, roof and awnings with any regular non-abrasive liquid household cleaner. A soft brush may be used, if necessary. Always use glass cleaner on clear walls. Rinse well to remove any cleaning product residue and dry thoroughly before storing. You may choose to work on a clean patio surface, or set up the canopy roof frame only and stretch the top over it for cleaning. A long-handled brush or mop can make it easier to reach.

* The Ball Bungees are stretch cable loops with plastic balls that may be used to bundle the poles into several easy to manage bundles. For faster and easier break down and storage, consider our Pole Bags.

* The Spikes and Tie Down Screws are intended for use on grass or dirt. On streets or other hard surfaces you will need to use weight to anchor your canopy. Our optional GreatWeights are a great way to add weight to the TrimLine.